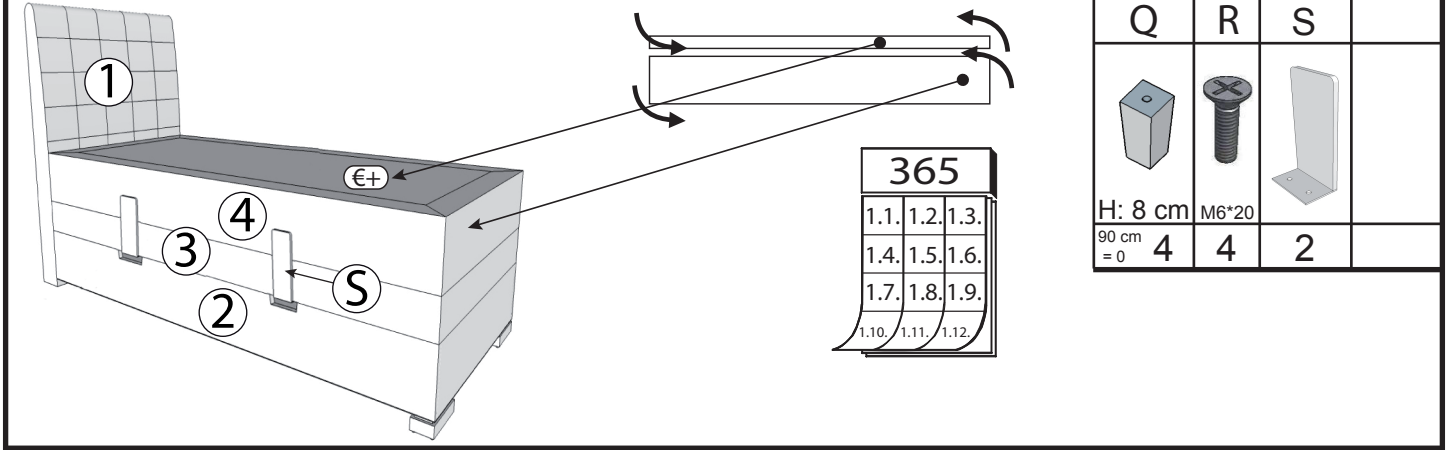


A	B	C	D	EL / ER	F	G	H	I	J	K	L	M	N
											-		
4	M8*80 2	M8 2	M8*20 14	1 / 1	90 cm = 350N 120/140 = 850 N 2	M8*16 4	2	4*16 8	1	2	-	2	M8*30 4



Q	R	S
H: 8 cm 90 cm = 0	M6*20 4	2

